

AMD Model S1 DBM690T, Socket S1 and M690T/SB600 Chipset Development Board

Product Overview

The AMD Socket S1 development board is an integrated hardware and software system that leverages the power of AMD Turion™ 64, AMD Turion 64 X2 Dual-Core, and Mobile AMD Sempron™ processors. When coupled with the AMD M690T/SB600 chipset, the AMD Socket S1 development board is a complete solution that optimizes the design of high performance, low-power-consumption solutions for embedded products, including thin clients, gaming, kiosk, point-of-sale, single-board computers, and other small form factor or graphics-centric embedded applications. It is a comprehensive evaluation unit for consumers designing with low-power AMD64 Embedded processors and chipsets.

Powerful Development Tools

The AMD Socket S1 development board is a complete development solution that integrates a processor, chipset, memory, and peripherals together on a single board along with debugging assist features and software.

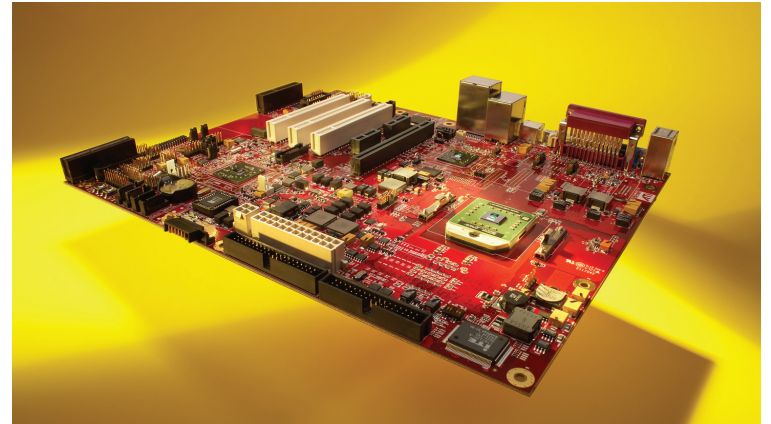
The Socket S1 development board underscores AMD's commitment to providing customers with integrated systems that address hardware and software needs, and provides the simplicity and reliability of a complete AMD solution for processor and chipset.

Bring Embedded Applications to Market Faster

The AMD Socket S1 development board provides a complete platform for software development and hardware validation. The system incorporates an AMD S1 processor socket compatible with AMD Turion 64 X2 Dual-Core, AMD Turion 64, and Mobile AMD Sempron processors. It also implements the AMD M690T Chipset with ATI Radeon™ X1250 Graphics, DDRII SDRAM, PCI and PCI Express expansion slots, USB 2.0, CRT/DVI/LVDS display options, high-definition audio, and gigabit Ethernet onto a standard ATX form factor board. The result is a fully integrated system that provides versatile features, performance, and Windows Vista™ premium compatibility.

High Performance for Low Power Applications

The AMD Socket S1 development board is designed to offer scalable power and performance options, including single- or dual-core operation, to deliver the right level of performance in demanding embedded applications that require low power operation. Combined with the AMD M690T chipset, this powerful x86 solution provides a range of features and an optimized combination of low power and high performance to give designers broader versatility.



Features and Benefits

AMD S1 Processor Socket (35W max) supporting:

- AMD Turion™ 64 processors
- AMD Turion 64 X2 Dual-Core processors
- Mobile AMD Sempron™ processors

Dual-Channel Memory

- Two SO-DIMM memory slots for DDR2 SDRAM
- Support for LPC and SPI Boot Flash

Expansion

- PCI Express® x8 and x1 slots
- PCI 2.2 (3) and mini-PCI (1) slots
- Express Card slot
- CNR and LPC slots

Debug Assist Features

- Test Points for Key signals
- AMD Hardware Debug Tool
- Power/Activity LEDs and POST code display

Display Output

- Analog VGA, DVI/HDMI, LVDS

AMD Model S1 DBM690T, Socket S1 and M690T/SB600 Chipset Development Board

Features and Benefits continued

On-Board Peripherals

- USB 2.0 Ports (9)
- Serial ATA II Ports (4) with RAID 0/1/10
- UDMA 133 IDE Port
- Floppy Drive Port
- 10/100/1000 Ethernet Port
- HD Audio + 7.1 surround support
- 16550 Compatible Serial Port
- EPP/ECP Parallel Port
- Hardware Monitor with Fan Control

Software Included

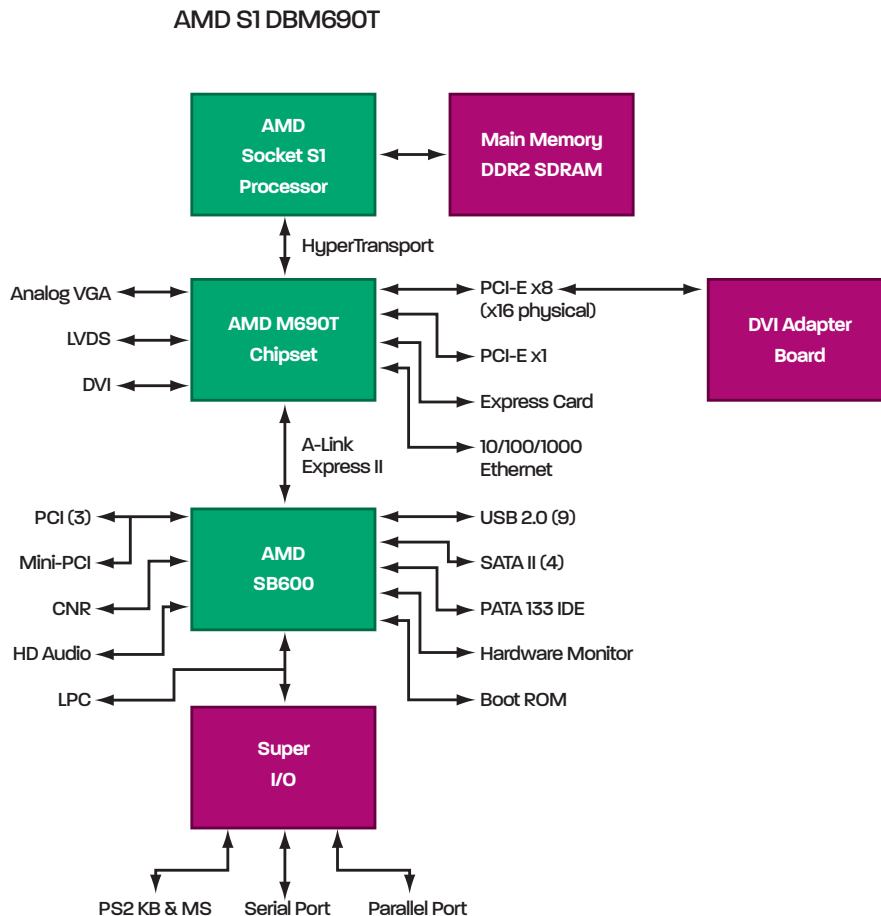
- Platform-specific BIOS implementation
- Diagnostics & Development tools
- OS Device Drivers

System Documentation

- User's guide
- Quick Start Guide
- Hardware datasheets

Ordering Information

- OPN: DBSIM690T-EVAL-KT



About AMD

AMD (NYSE:AMD) designs and produces innovative microprocessors and low-power processor solutions for the computer, communications, and consumer electronics industries. AMD is dedicated to delivering standards-based, customer-focused solutions for technology users, ranging from enterprises and governments to individual consumers.

www.amd.com

One AMD Place
P.O. Box 3453
Sunnyvale, CA 94088-3453, USA
Tel: 408-749-4000 or 800-538-8450
TWX: 910-339-9280
TELEX: 34-6306

42655A

Technical Support

USA & Canada: 800-222-9323, Opt 2 or 408-749-5703
USA & Canada PC Processors Only: 408-749-3060
USA & Canada E-mail: hw.support@amd.com

Latin America E-mail (Spanish): amdsp@vermont.com.br
Latin America E-mail (Portuguese): amdbr@vermont.com.br
Argentina: 0800-333-0219
Brazil: 0800-557686
Chile: 123-00-209-110
Mexico: 01-800-123-4709

Europe & UK: +44-0-1276-803299
Europe & UK Fax: +44-0-1276-803298
France: 0800-908-621
Germany: +49-89-450-53199
Italy: 800-877224
Europe E-mail: euro.tech@amd.com

China Fax: 86-10-8518-1777
Hong Kong Fax: 852-2956-0588
Japan Fax: 81-3-3346-7848
Korea Fax: 82-2-3468-2601
Taiwan Fax: 886-2-2655-7855

Asia E-mail: asia.support@amd.com

Literature Ordering

On the Web: www.amd.com/support/literature.html
USA & Canada: 800-222-9323, Opt 1
USA & Canada E-mail: amd literature@comac.com
Europe E-mail: euro.lit@amd.com

China Fax: 86-10-8518-1777
Hong Kong Fax: 852-2956-0588
Japan Fax: 81-3-3346-7848
Taiwan Fax: 886-2-2655-7855

©2007 Advanced Micro Devices, Inc. All rights reserved.
AMD, the AMD Arrow Logo, AMD Turion, AMD Sempron, and combinations thereof, are trademarks of Advanced Micro Devices, Inc. Windows Vista is a trademark of Microsoft Corporation. PCI Express is a registered trademark of PCI-SIG. Other names are for informational purposes only and may be trademarks of their respective owners.

AMD
Smarter Choice